



## Analogue 3D edge finder

- Linear scale.
- Suitable for measuring.
- Precise operation.
- Compact design avoids collisions when finding edges.
- **Dust-tight and watertight = IP67.**
- Convenient and exact concentricity adjustment.
- One scale for both radial and axial run-out.

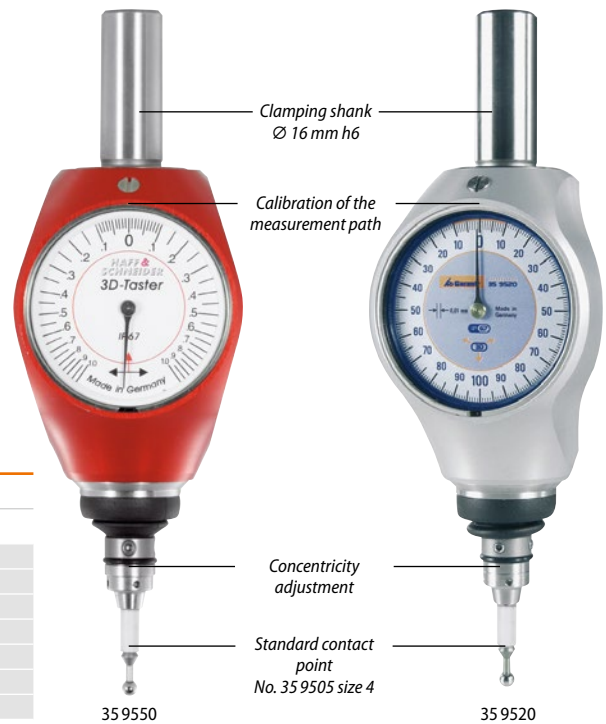
**Application:** Precision measuring device for milling and spark erosion machines. For determining component zero-points, measurement of lengths, bore centres and reference edges.

**Supplied with:** With contact point No. 359505 size 4.

**Optional extras:** Contact point No. 359505 size 6.

**Note:** Digital 3D edge finder see No. 359500.  
For edge finder inserts No. 359505 and a spare glass No. 359510 see the spare parts list.

31T	35 9520	Garant	3D edge finder with contact point (Ø 4 mm)	378.06
36T	35 9550	Hoffmann & Schneider		438.39
	Shank Ø		mm	16
	Reading accuracy		mm	0.01
	Measuring accuracy		mm	0.01
	Displacement travel x, y, z respectively		mm	7
	free length contact point		mm	40
	Overall length (body and contact point)		mm	134
	Display Ø		mm	50



## HOLEX® Centre finder – with non-rotating dial

Sturdy metal casing suitable for workshop use with dial indicator Ø 42 mm (scale graduation 0.005 mm). Holding rod can be fitted on the left or right. Centre finder can be used vertically and horizontally. Overall height without contact point 140 mm. Recommended speed approx. 50 – 100 rpm. Working range up to 300 mm. Centring accuracy 0.02 mm.

**Application:** Determining the centres of bores and shafts.

**Supplied with:** Centre finder with holding rod, holding magnet with connection cord

**1x each internal contact point:**

50 mm for Ø 3.5 mm – 100 mm

100 mm for Ø 50 mm – 200 mm

150 mm for Ø 50 mm – 300 mm

**1x each curved external contact point:**

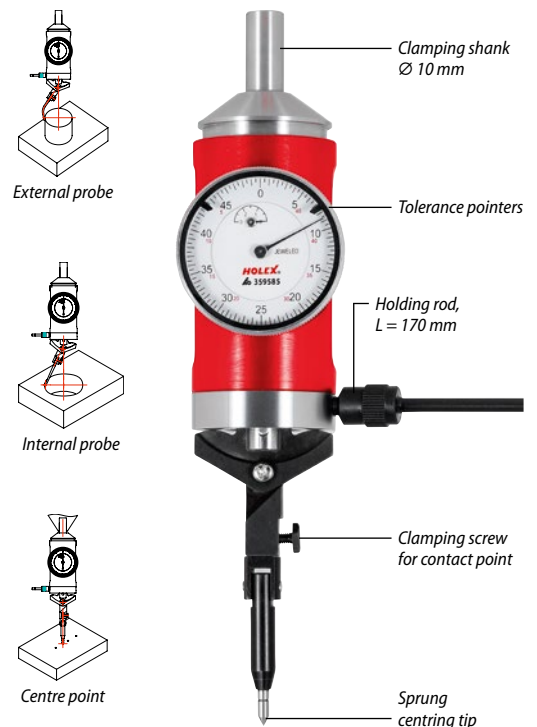
50 mm for Ø 0.0 mm – 100 mm

100 mm for Ø 0.0 mm – 200 mm

150 mm for Ø 0.0 mm – 300 mm

**1 sprung centre punch** (centre contact point)

32B	35 9585	Centre finder with non-rotating dial	423.54
	Working range Ø internal	mm	3.5 – 300
	Working range Ø external	mm	0 – 300
	Length without shank and probe	mm	118
	maximum speed of spindle	rpm	50 – 100
	Measuring range of the dial indicator	mm	3



## Accessories for 3D edge finder

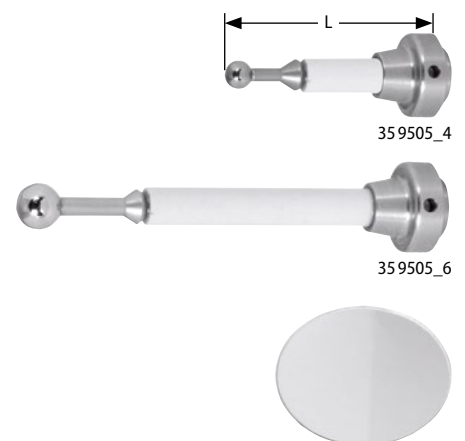
### Contact point for 3D edge finder

**Suitable for:**

Size 4 – Analogue and digital 3D edge finders No. 359520 / 9500 / 9550.

Size 6 – Analogue 3D edge finder No. 359520 / 9550.

Spherical point Ø	mm	4	6		
31T	35 9505	Garant	Contact point for 3D edge finder	29.36	45.87
Spherical point Ø	mm	4	6		
Overall length L	mm	31	56.5		



### Spare glass for analogue 3D edge finder

**Suitable for:** Analogue 3D edge finder No. 359520 / 9550 and old version No. 359100.

36T	35 9510	Spare glass for analogue 3D edge finder	6.64
-----	---------	---	------

35 9510

973